

The Cotswold Heavy Duty Gazebo

(2700mm x 2700mm)



Component List

4 x Pergola Corner Posts	(125mm x 125mm)	2100mm / 2700mm	(A)
2 x Roof Frame (Front / Rear)	(145mm x 42mm)	2400mm	(B)
2 x Roof Frame (Sides)	(145mm x 42mm)	2700mm - Angle Cut	(C)
1 x Roof Frame (Apex Beam)	(145mm x 42mm)	2700mm - Angle Cut	(D)
2 x Roof Uprights (Front / Rear)	(92mm x 42mm)	550mm - Notched	(E)
2 x Specific Rear Roof Rafters	(92mm x 42mm)	1475mm - Angle Cut & Notched	(F)
12 x Roof Rafters	(92mm x 42mm)	1475mm - Angle Cut	(G)
8 x Corner Support Braces	(92mm x 42mm)		(H)
30 x Featheredge Roof Boarding	(12mm x 125mm)	2590mm	(I)
1 x Roof Capping	(21mm x 100mm)	2590mm	(J)
68 x 100mm Wood Screws			(FIX1)
14 x 150mm Wood Screws			(FIX2)
231 x 50mm Coated Green Screws			(FIX3)

Tools Required

Drill Driver
PZ2 Driver Bit
Pilot Drill Bit
Pencil
Tape Measure
Spirit Level

A minimum of two people are required to assemble this gazebo.

The Cotswold Heavy Duty Gazebo (2700mm x 2700mm)



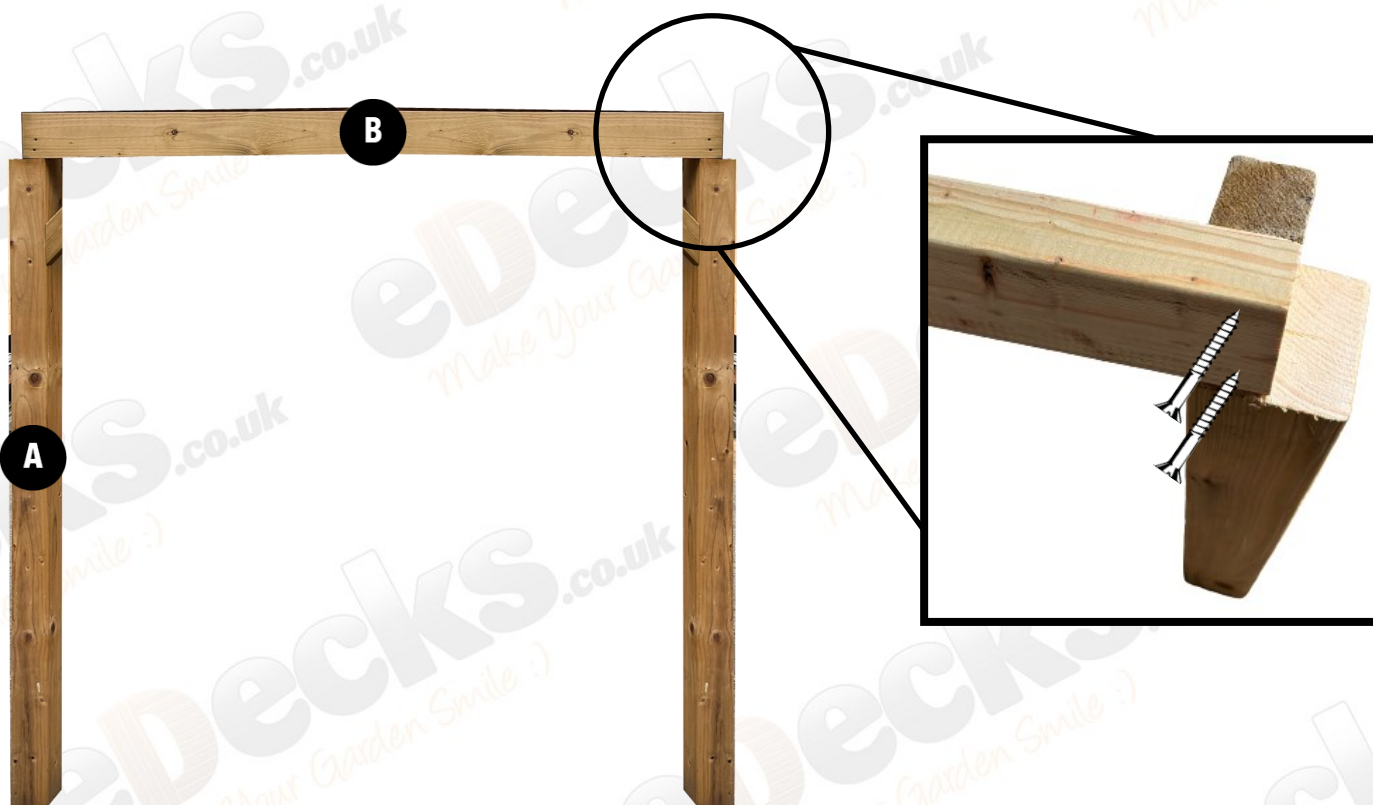
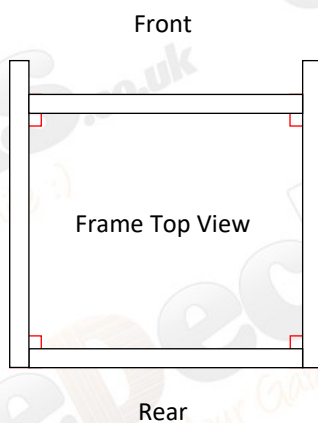
Step 1

To prevent splits, drill a pilot hole before driving screws

To begin your gazebo build the first step is to create the frame, starting off by fixing the roof framing timber (B) to 2 of the posts (A) as per the below diagram using 2 x 100mm Wood Screws (FIX1) at either side.

Repeat the process for both sides.

Note that the roof frame timber sits inside the post as shown below, flush with the upstanding notched piece of timber left on the top of the post, these notched pieces will be the internal corners.



All images are for illustration only. Please see individual item listings for actual item specifications.

Page 2 of 9

The Cotswold Heavy Duty Gazebo (2700mm x 2700mm)



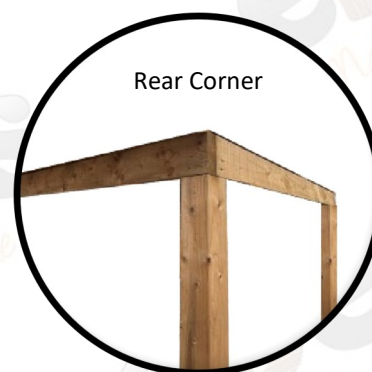
Step 2

To prevent splits, drill a pilot hole before driving screws

In order to join the two frame sections that you made in step 1, parts (C) need to be put in place and fixed into position using 2 x 100mm Wood Screws (FIX1) at each point of contact.

At the rear, the roof frame timber will sit flush with the cross section and the post as indicated below.

At the front, the roof frame timber will sit onto the post in the notched out section and should overhang at the front by approximately 290mm.



All images are for illustration only. Please see individual item listings for actual item specifications.

Page 3 of 9

The Cotswold Heavy Duty Gazebo (2700mm x 2700mm)

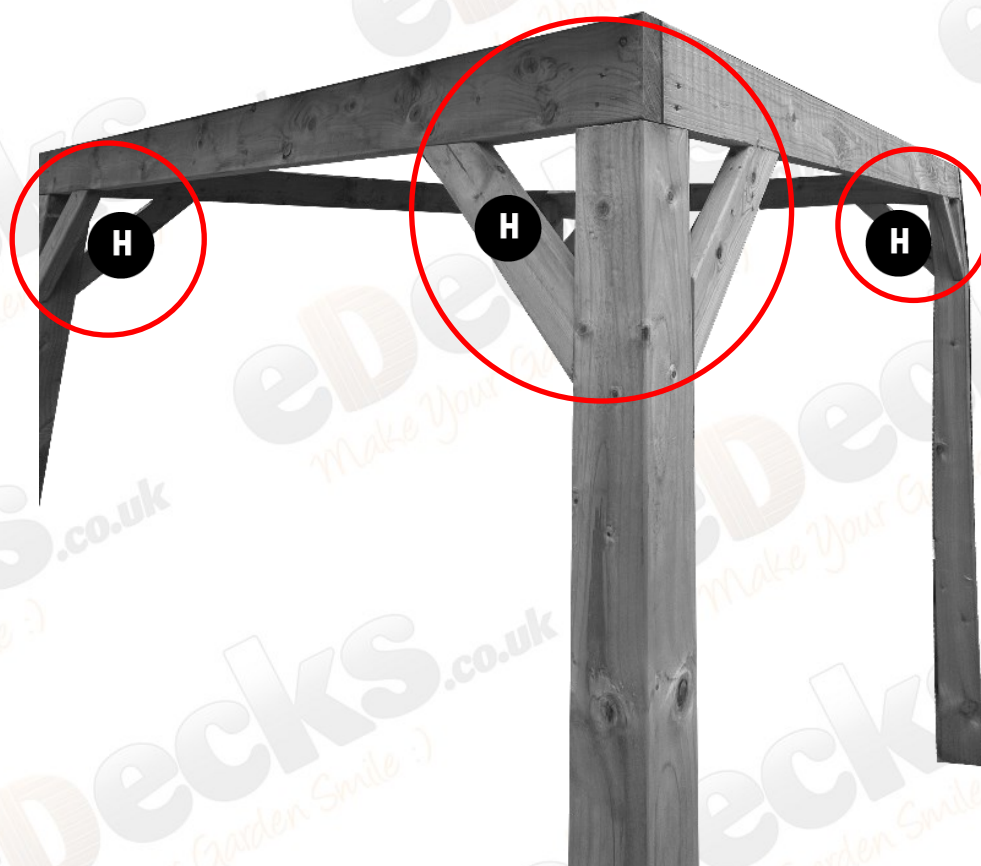
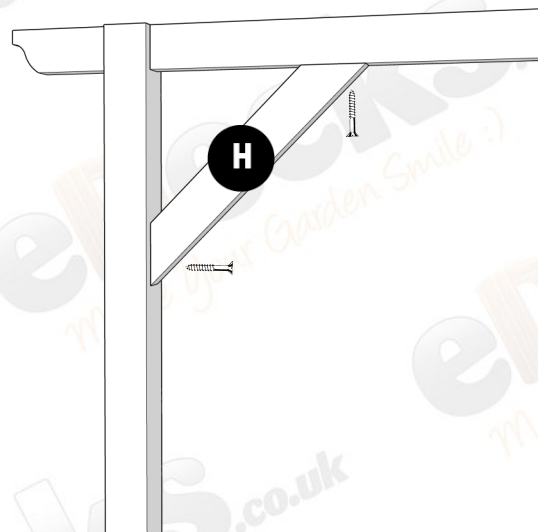


Step 3

To prevent splits, drill a pilot hole before driving screws

In order to create some rigidity, install the Corner Support Braces (H) and secure in position using 2 x 100mm Wood Screws (FIX1), one in the top into the frame and one at the bottom into the post.

Repeat this process on all four corners, in both directions as per the diagram to the right.



All images are for illustration only. Please see individual item listings for actual item specifications.

Page 4 of 9

The Cotswold Heavy Duty Gazebo (2700mm x 2700mm)



Securing your Gazebo

Step 4

Depending on your chosen post option you will need to follow one of the following options for each of the posts in your kit.

Option 1

Excavate holes for the pergola posts. These need to be to a depth of between 300mm and 600mm based on your preferred finished height, then filled with concrete / postmix.

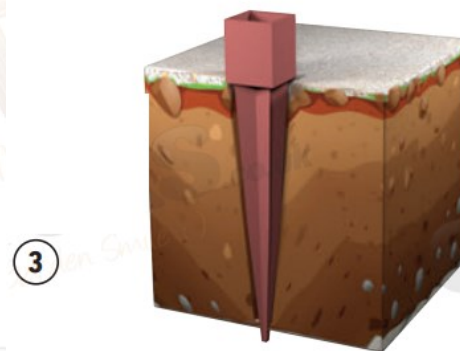
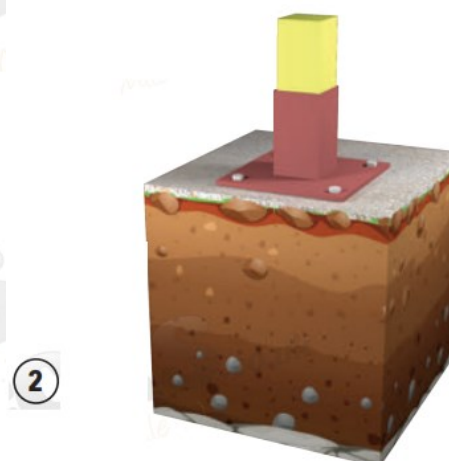
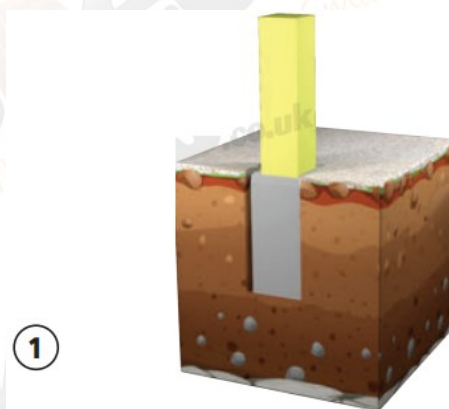
Option 2

Bolt Down Anchors - Attach the Bolt Down Anchor to your concrete area, drill an 8mm hole using an SDS drill bit, ensuring the hole depth is 10mm longer than the bolt length to allow for dust. Remove any loose dust and fix the bolt into place through the holes provided in the anchor. Slot your pergola post into the bolt down and tighten the 2 bolts at the side of the anchor to secure whilst making sure the post is straight.

Option 3

Steel Spikes - Using the Mett Driving tool and a sledge hammer or something equivalent drive the steel spike into the ground. Once post is in position tighten the 2 bolts on the side of the spike to secure post in place.

DON'T FORGET TO CHECK YOUR WORK WITH A LEVEL AS YOU GO AS IT IS CRITICAL THAT YOUR POSTS ARE AT THE SAME HEIGHT AND COMPLETELY STRAIGHT!



The Cotswold Heavy Duty Gazebo (2700mm x 2700mm)



Step 5

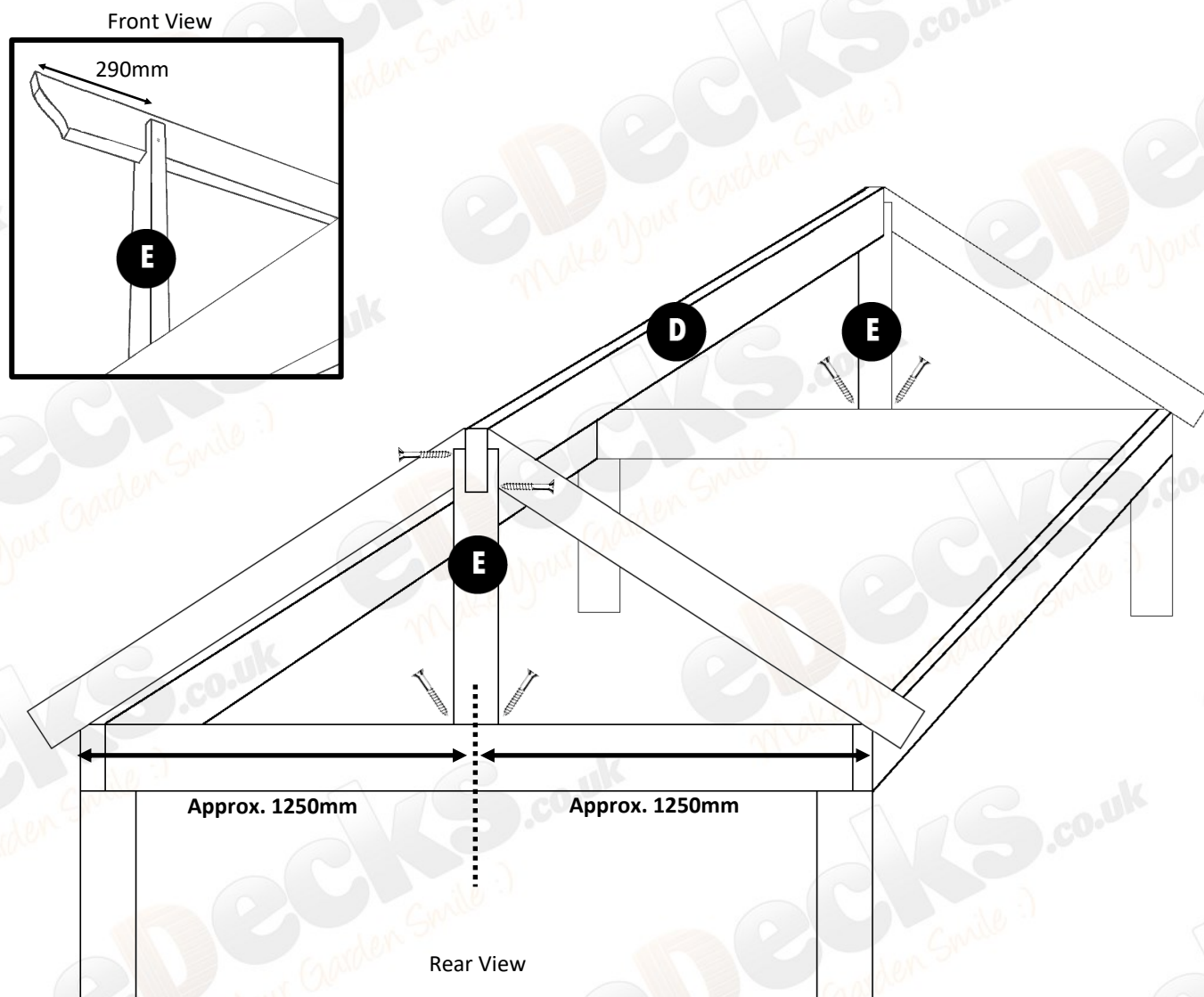
To prevent splits, drill a pilot hole before driving screws

To begin creating the roof structure, the 2 x Roof Uprights (E) and Roof Frame (Apex Beam) (D) need to be fixed into position.

Starting with part (E), measure to the centre of the front / rear (approx. 1250mm) and attach using 2 x 100mm Wood Screws (FIX1) driven diagonally through the side of the upright and into the timber below, the back edge should sit flush with the frame. Repeat at the other end.

With both Roof Uprights (E) now secured, the Roof Frame (Apex Beam) (D) can be slotted into position and fixed into place using 2 x 100mm Wood Screws (FIX1), this timber should also sit flush at the back of the upright, the front end will overhang approx. 290mm as per the sides.

When fixing the Apex Beam in place we recommend one screw to go at the top through the side and the other lower down to avoid them hitting one another, see below.



All images are for illustration only. Please see individual item listings for actual item specifications.

Page 6 of 9

The Cotswold Heavy Duty Gazebo (2700mm x 2700mm)



Step 6

To prevent splits, drill a pilot hole before driving screws

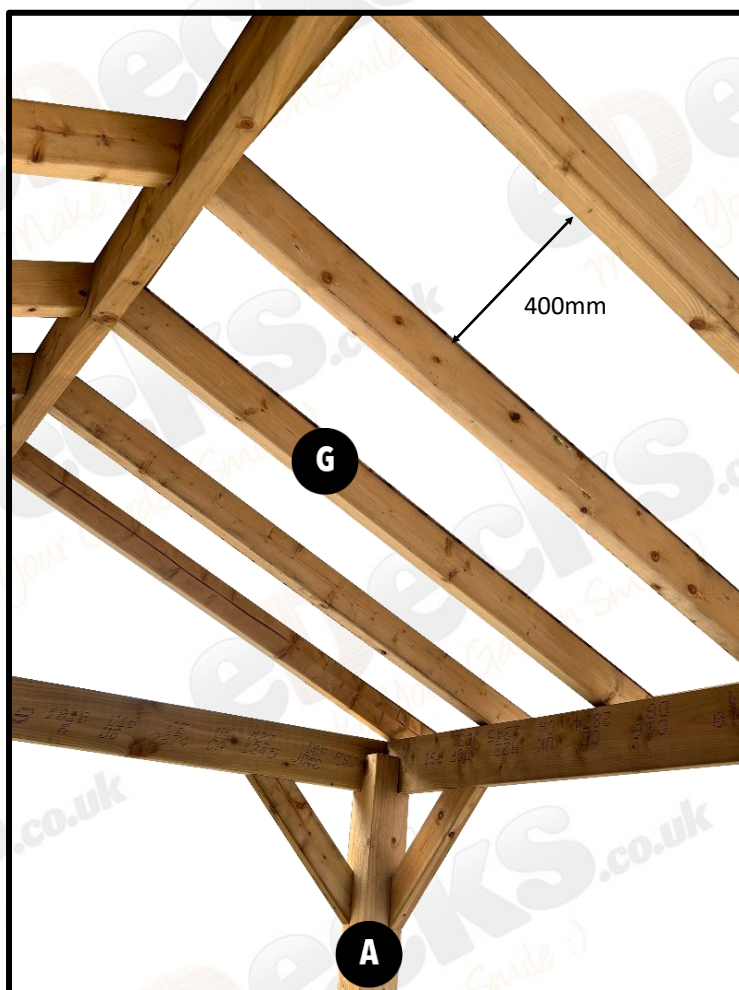
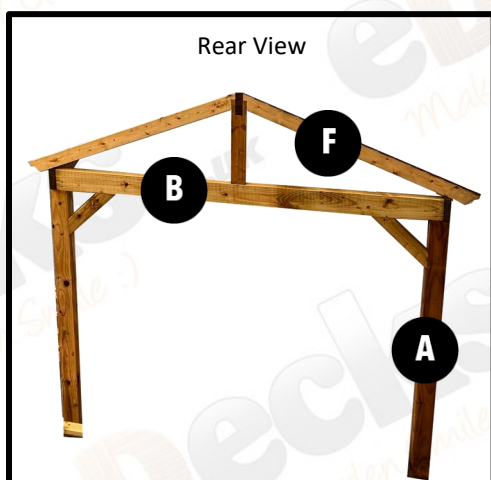
To complete the roof frame, the rafters (**F**) and (**G**) need to be now installed, these are secured using the bigger 150mm Wood Screws (**FIX2**) as they need to be driven right through the rafter from the top and down into the frame.

We recommend installing the rear two rafters first as they are slightly different to the rest. They sit directly on top of the rear posts (**A**) and are notched accordingly. These two will sit flush to the back of the frame timber below.

Next add the front two rafters, by doing this it will help to set out the spacing for the remaining rafters.

The front two rafters need to be 2590mm from the back edge of the back rafters, to the front edge of the front rafters, this measurement is the same as the roof boards (**I**) which will be installed in the final step.

The remaining rafters are to be installed so they are evenly spaced between the front and rear sets, approx. 400mm apart.



The Cotswold Heavy Duty Gazebo (2700mm x 2700mm)



Step 7

To prevent splits, drill a pilot hole before driving screws

Starting from the bottom of the roof frame, lay the first piece of Featheredge Roof Boarding (**I**) in to place, flush with the end of the rafters and secure using 1 x 50mm Coated Green Screw (**FIX3**) in to each truss. Total 7 screws per board.

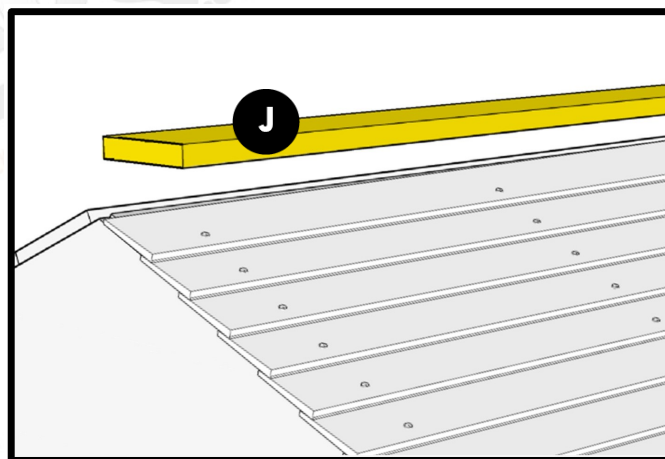
Remember to leave a 20mm overlap on each board and to screw through the thick part of the feather-edge board.



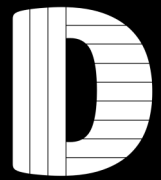
Step 8

The Roof Ridge Capping (**J**) is fixed in position using 7 x 2 x 100mm Wood Screws (**FIX1**) in the centre of the board and into the Apex Beam (**D**) below it.

This should sit flush with all of the front and rear edge of the roof .



The Cotswold Heavy Duty Gazebo (2700mm x 2700mm)



**Enjoy your new Cotswold Heavy Duty Gazebo
(2700mm x 2700mm)**

All images are for illustration only. Please see individual item listings for actual item specifications.

Page 9 of 9